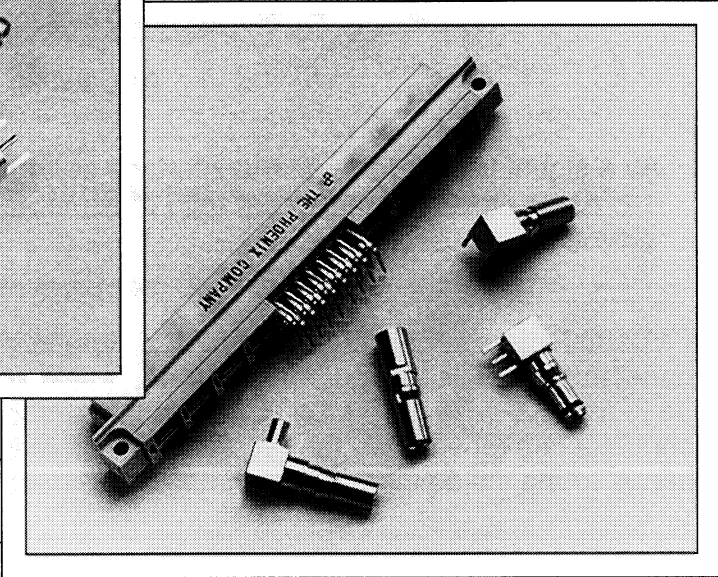


Blindmate Coax Contacts

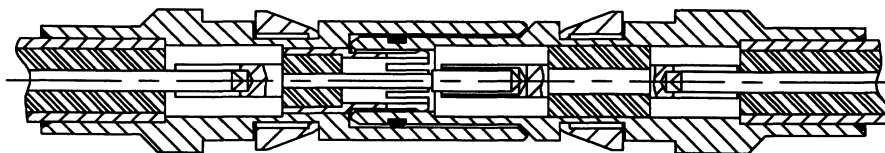


PkZ® Blindmate Coax Contacts

PkZ® Blindmate Coax Contacts89
PkZ® 26 Series (Size 8 Contacts)	
Blindmate Design, Configurations90-91
Specifications92
Interface Drawings / Gaskets93
Product Data94-97
PkZ® 26D Series (DIN)	
Product Data98-101

THE PKZ[®] BLINDMATE DESIGN

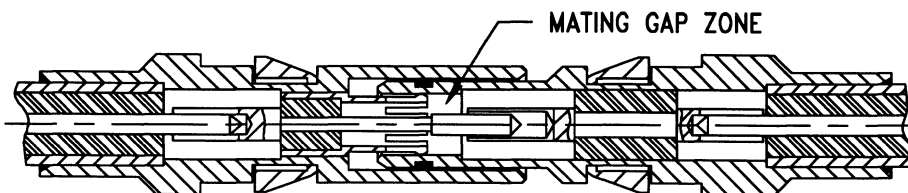
The PkZ solves the issues of maintaining constant ratios through a unique, straight-forward approach to the internal construction.



FULL MATING

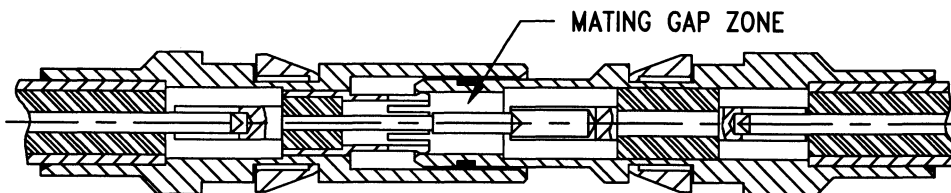
As a signal travels through the interface of a fully mated PkZ, constant impedance is maintained through a constant ratio of center to outer conductor and a consistent air dielectric.

In a partial-mate condition, a mating gap zone is introduced in the interface of the two connectors. Air fills the mating gap zone, however, the dielectric constant is unchanged, due to the use of air as the original dielectric property. Also, a different diameter of center conductor is exposed, but the ratio of conductors is maintained, with a corresponding change to the inside diameter of the outer conductor.



PARTIAL MATING

This unique control and maintenance of dielectric constant and ratio of conductors in a partial mate condition, provides a flexible blindmate solution, open to many different sizes, configurations, and applications.



INITIAL MATING

Even at initial mating, a constant impedance is attained at initial engagement of center and outer conductors, resulting in the widest mating tolerance available in any microwave blindmate connector.



Application Advantages

- Reference Plane Eliminated
Frees designer from need of full module mating.
- DC To 32 GHz Frequency Range
Accommodates wider system designs spanning RF to microwave.
- .090" Axial Mating Tolerance
Constant impedance eliminates concern with mechanical tolerance build-up.
- Versatility of Design
High Power, miniaturization, mounting variety.

Configurations

- SNAP IN MOUNT
- FIXED MOUNT
- D-SUBMINIATURE COMBINATION
- 41612 DIN
- MIL-C-38999
- ARINC
- HDI (HIGH DENSITY)
- SEMI-RIGID CABLE
- FLEXIBLE CABLE
- SIZE 8
- SIZE 12
- 2.8mm
- EASILY CONFIGURED TO CUSTOM CONNECTORS



PkZ[®] 26 SERIES SIZE 8 CONTACT

U.S. PATENT NO. 4,917,630

JAPANESE PATENT NO. 1769278

SPECIFICATIONS SUBJECT TO CHANGE WITHOUT NOTICE

MECHANICAL

<p>MATERIALS: BODIES: Plugs: Brass per ASTM B 16. Receptacles: Brass per ASTM B 16. Insulation: Teflon (PTFE) ASTM D 1457. Retaining Ring: Beryllium Copper per ASTM B 196. Contacts, Male: Beryllium Copper per ASTM B 196. Contacts, Female: Beryllium Copper per ASTM B 196. *Weather Seal Gasket: Silicone Rubber per ZZ-R-765. *EMI Gasket: Beryllium Copper per ASTM B 194.</p>	<p>PLATING: Gold per MIL-G-45204. Copper per MIL-C-14550. Nickel per QQ-N-290.</p>
--	--

FINISH (Add letter to end of part number.)

<p>BODIES AND CONTACTS** "A": .000050 Min. Gold over Nickel. "B": .000030 Min. Gold over Nickel. "C": .000050 Min. Gold over Copper. "D": .000030 Min. Gold over Copper.</p>

MATING CHARACTERISTICS

<p>Outer Bodies: 3 lbs. Max. Insertion. 2 oz. Min. Withdrawal. Center Contacts: 16 oz. Max. Insertion. .5 oz. Min. Withdrawal. Housing Retention: 12 lbs. Min. Axial Mating Tolerance: .090</p>
--

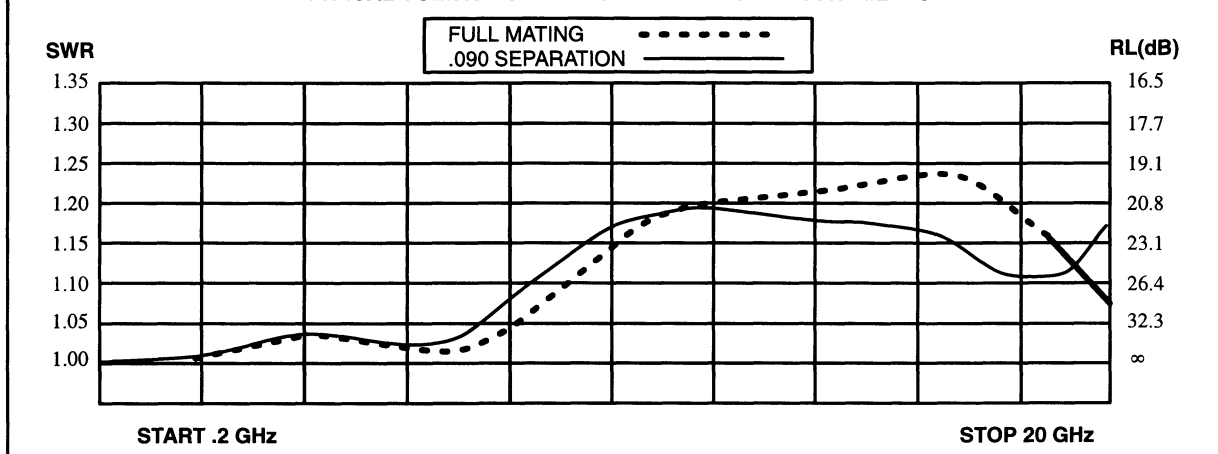
ELECTRICAL

<p>Impedance: 50 Ohms. Frequency Range: DC to 32 GHz. Voltage Rating Straight: 1000 V RMS. Voltage Rating Angled: 800 V RMS. Current Rating: 5 Amps. Insulation Resistance: 2000 Megohms Min.</p>	<p>Insertion Loss: $.06 \times \sqrt{f(\text{GHz})}$ dB. Contact Resistance: Center Contact 5 Milliohms. Contact Resistance: Outer Contact 3 Milliohms. VSWR: 1.08 + .009 (F) GHz, Cable RG402 (.141 S.R.). 1.15 + .02 (F) GHz, Cable 174, 316. 1.15 + .01 (F) GHz, Cable 142, 223, 303, 400.</p>
--	---

ENVIRONMENTAL

<p>Operating Temperature Range: -65° C to +165° C). Vibration: MIL-STD-202, Method 204, Test Condition D. Shock: MIL-STD-202, Method 213, Test Condition I. Salt Spray: MIL-STD-1344, Method 1001, Condition B. Durability: 500 Cycles.</p>	<p>Thermal Shock: MIL-STD-202, Method 107, Test Condition B, except High Temp. shall be +185° F (+85° C). Moisture Resistance: MIL-STD-202, Method 106 (No measurement at High Humidity. Insulation Resistance 200 Megohms after Humidity.)</p>
--	---

TYPICAL VOLTAGE STANDING WAVE RATIO MEASUREMENTS



*See next page for ordering information.

** All other components plated to meet environmental requirements.



THE PHOENIX COMPANY
of CHICAGO, INC.

Dimensions are subject to change without notice.

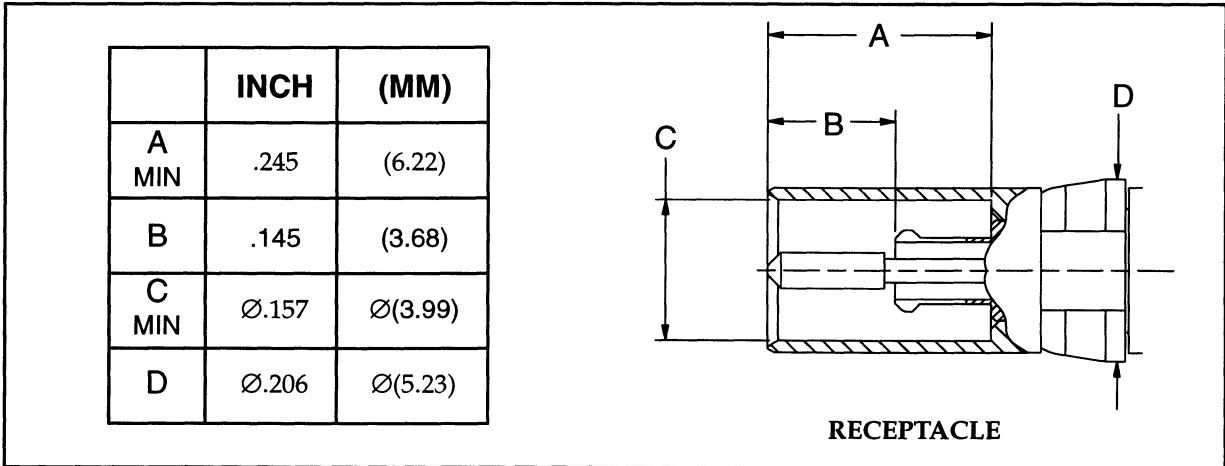
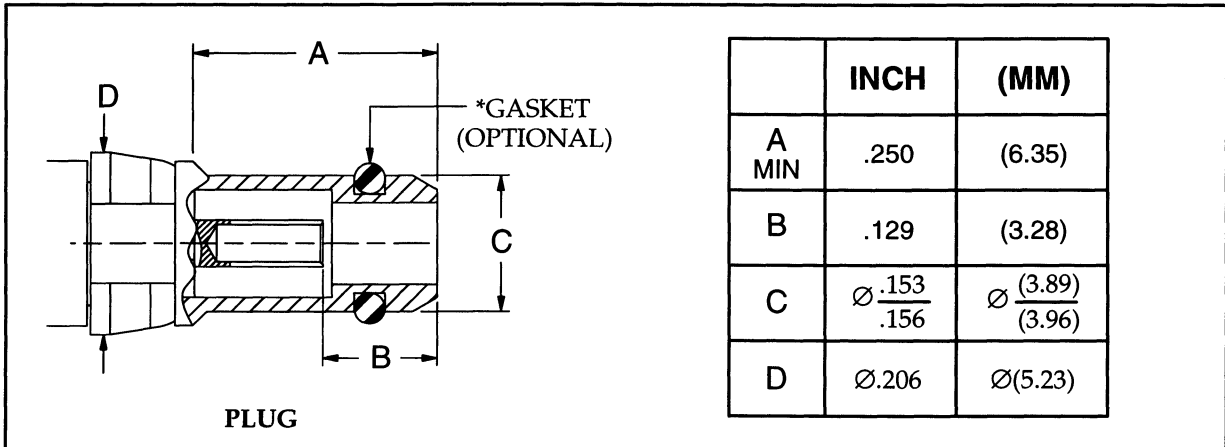
PALCO CONNECTOR

A subsidiary of The Phoenix Company

555 Pond Drive • Wood Dale, IL 60191-1192 • Toll Free (800)323-9562

PKZ[®] 26 SERIES SIZE 8 CONTACT

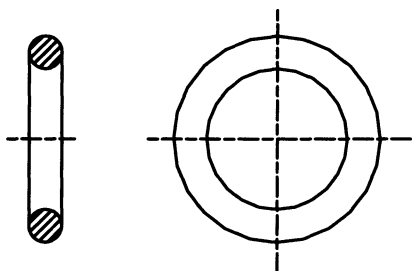
INTERFACE DRAWINGS



Consult Factory for Contact Part Number with selected gasket installed.

*GASKET

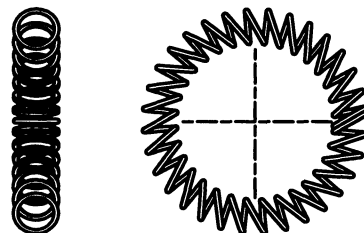
Weather Proof for PkZ[®] Size 8 Contact



Individual Part Number: 00-60012
Material: Silicone Rubber Per ZZ-R-765

*GASKET

EMI for PkZ[®] Size 8 Contact



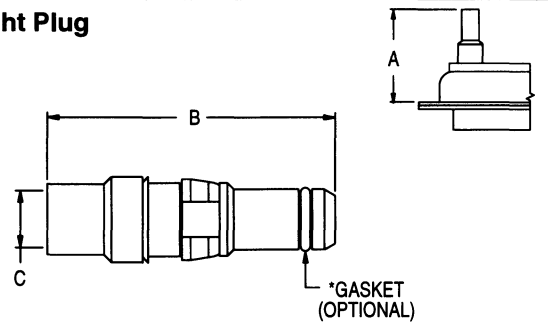
Individual Part Number: 00-60018
Material: Beryllium Copper per ASTM-B-194



PKZ[®] 26 SERIES – SIZE 8 CONTACT DIRECT SOLDER

Part Number	A MAX.	B REF.	C DIA.	Cable
26-0020-1201*	.48 (12.19)	.74 (18.80)	.202 (.513)	RG142B
26-0020-1410*	.48 (12.19)	.74 (18.80)	.145 (3.68)	RG402-M17/130 (.141 S.R.)

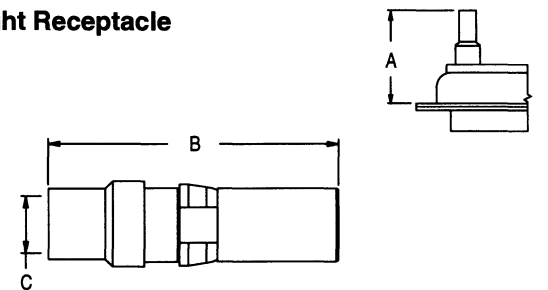
Straight Plug



Direct Solder

Part Number	A MAX.	B REF.	C DIA.	Cable
26-1020-1201*	.42 (10.67)	.69 (17.53)	.202 (.513)	RG142B
26-1020-1410*	.42 (10.67)	.69 (17.53)	.145 (3.68)	RG402-M17/130 (.141 S.R.)

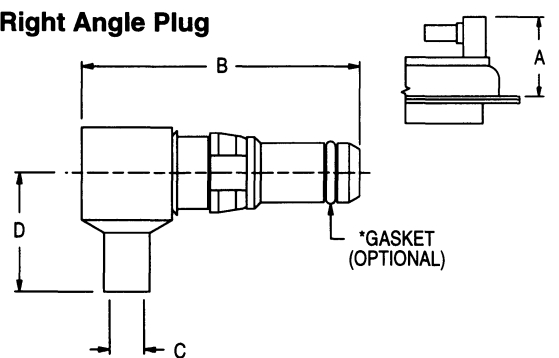
Straight Receptacle



Direct Solder

Part Number	A MAX.	B REF.	C DIA.	D REF.	Cable
26-0520-0470*	.48 (12.19)	.73 (18.54)	.050 (1.27)	.31 (7.87)	M17/151 (.047 S.R.)
26-0520-0860*	.48 (12.19)	.73 (18.54)	.092 (2.34)	.31 (7.87)	RG405-M17/133 (.086 S.R.)
26-0520-1410*	.48 (12.19)	.73 (18.54)	.145 (3.68)	.31 (7.87)	RG402-M17/130 (.141 S.R.)

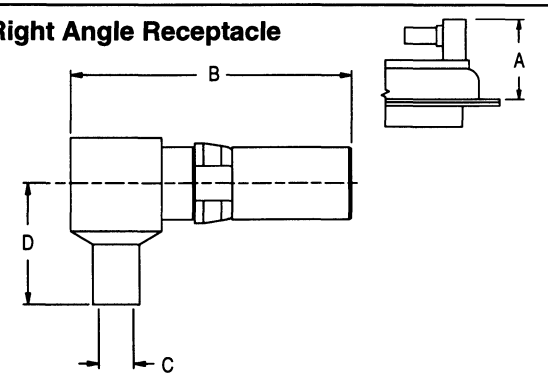
Right Angle Plug



Direct Solder

Part Number	A MAX.	B REF.	C DIA.	D REF.	Cable
26-1520-0470*	.46 (11.68)	.73 (18.54)	.050 (1.27)	.31 (7.87)	M17/151 (.047 S.R.)
26-1520-0860*	.46 (11.68)	.73 (18.54)	.092 (2.34)	.31 (7.87)	RG405-M17/133 (.086 S.R.)
26-1520-1410*	.46 (11.68)	.73 (18.54)	.145 (3.68)	.31 (7.87)	RG402-M17/130 (.141 S.R.)

Right Angle Receptacle



Direct Solder

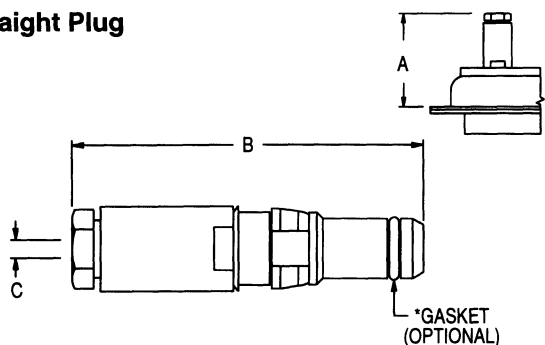
*See Specification Page for finish suffix and gasket information.



PkZ[®] 26 SERIES – SIZE 8 CONTACT SOLDER/CLAMP

Part Number	A MAX.	B REF.	C DIA.	Cable
26-0030-0470*	.66 (16.76)	.91 (23.11)	.050 (1.27)	M17/151 (.047 S.R.)
26-0030-0670*	.66 (16.76)	.91 (23.11)	.092 (2.34)	RG174,188,316
26-0030-2670*	.66 (16.76)	.91 (23.11)	.103 (2.62)	RG316 D.S. (M17/152)
26-0030-0860*	.66 (16.76)	.91 (23.11)	.092 (2.34)	RG405-M17/133 (.086 S.R.)

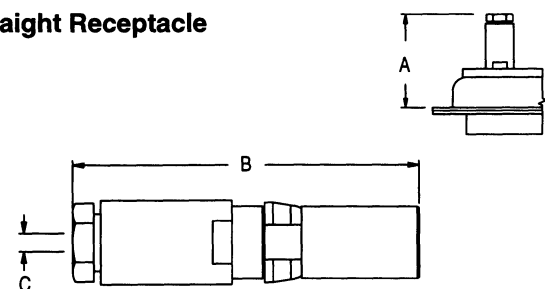
Straight Plug



Solder/Clamp

Part Number	A MAX.	B REF.	C DIA.	Cable
26-1030-0470*	.60 (15.24)	.86 (21.84)	.050 (1.27)	M17/151 (.047 S.R.)
26-1030-0670*	.60 (15.24)	.86 (21.84)	.092 (2.34)	RG174,188,316
26-1030-2670*	.60 (15.24)	.86 (21.84)	.103 (2.62)	RG316 D.S. (M17/152)
26-1030-0860*	.60 (15.24)	.86 (21.84)	.092 (2.34)	RG405-M17/133 (.086 S.R.)

Straight Receptacle



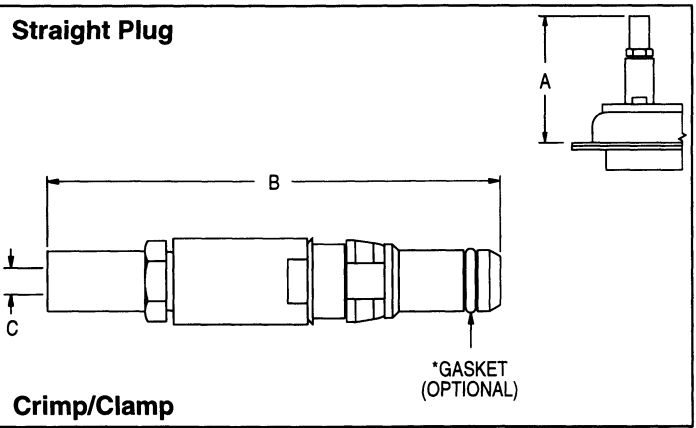
Solder/Clamp

*See Specification Page for finish suffix and gasket information.

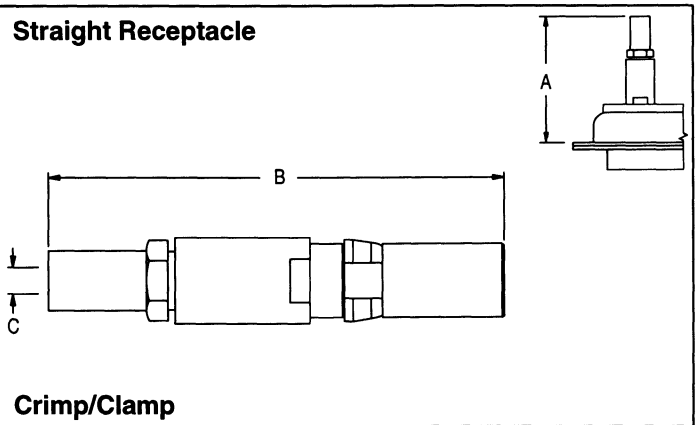


PKZ[®] 26 SERIES – SIZE 8 CONTACT CRIMP/CLAMP, CRIMP

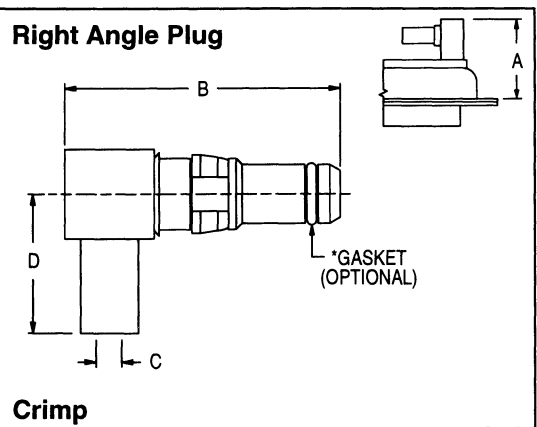
Part Number	A MAX.	B REF.	C DIA.	Cable
26-0080-0670*	.91 (23.11)	1.15 (29.21)	.067 (1.70)	RG174,188,316
26-0080-1201*	.91 (23.11)	1.15 (29.21)	.122 (3.10)	RG55,142,223
26-0080-2670*	.91 (23.11)	1.15 (29.21)	.067 (1.70)	RG316 D.S. (M17/152)



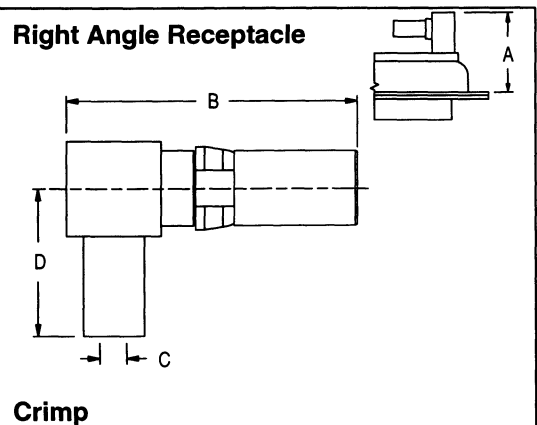
Part Number	A MAX.	B REF.	C DIA.	Cable
26-1080-0670*	.85 (21.59)	1.11 (28.19)	.067 (1.70)	RG174,188,316
26-1080-1201*	.85 (21.59)	1.11 (28.19)	.122 (3.10)	RG55,142,223
26-1080-2670*	.85 (21.59)	1.11 (28.19)	.067 (1.70)	RG316 D.S. (M17/152)



Part Number	A MAX.	B REF.	C DIA.	D REF.	Cable
26-0580-0670*	.47 (11.94)	.73 (18.54)	.067 (1.70)	.37 (9.40)	RG174,188,316
26-0580-1201*	.47 (11.94)	.73 (18.54)	.122 (3.10)	.50 (12.70)	RG55,142,223,400
26-0580-2670*	.47 (11.94)	.73 (18.54)	.067 (1.70)	.37 (9.40)	RG316 D.S. (M17/152)



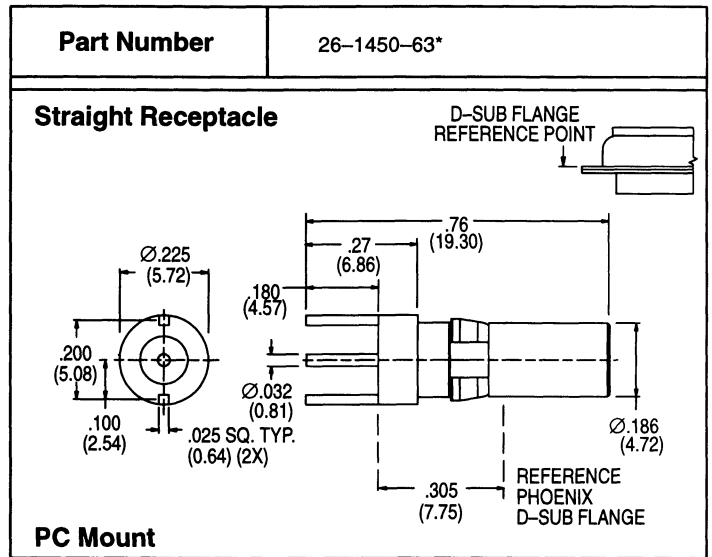
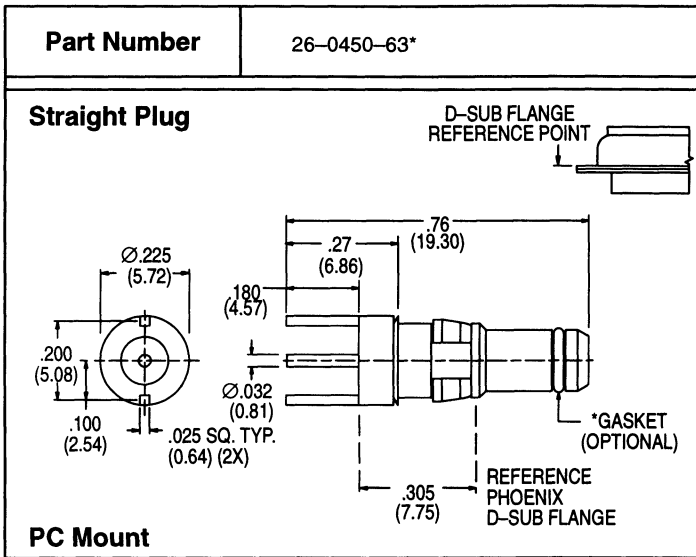
Part Number	A MAX.	B REF.	C DIA.	D REF.	Cable
26-1580-0670*	.46 (11.68)	.73 (18.54)	.067 (1.70)	.37 (9.40)	RG174,188,316
26-1580-1201*	.46 (11.68)	.73 (18.54)	.122 (3.10)	.50 (12.70)	RG55,142,223,400
26-1580-2670*	.46 (11.68)	.73 (18.54)	.067 (1.70)	.37 (9.40)	RG316 D.S. (M17/152)



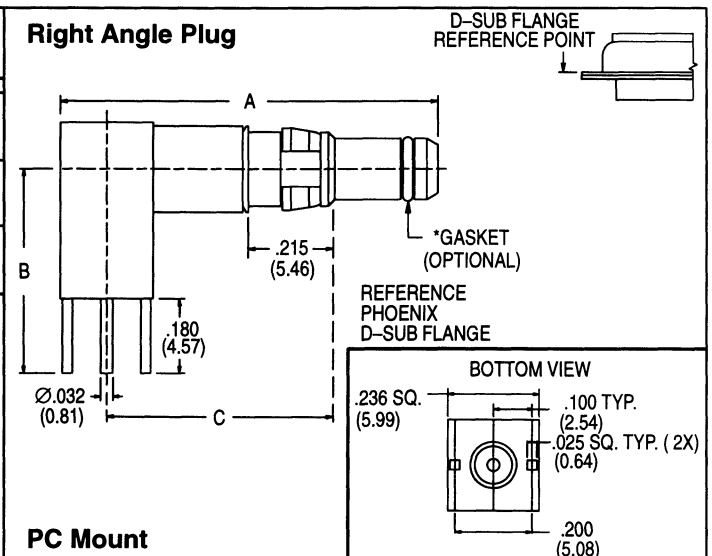
*See Specification Page for finish suffix and gasket information.



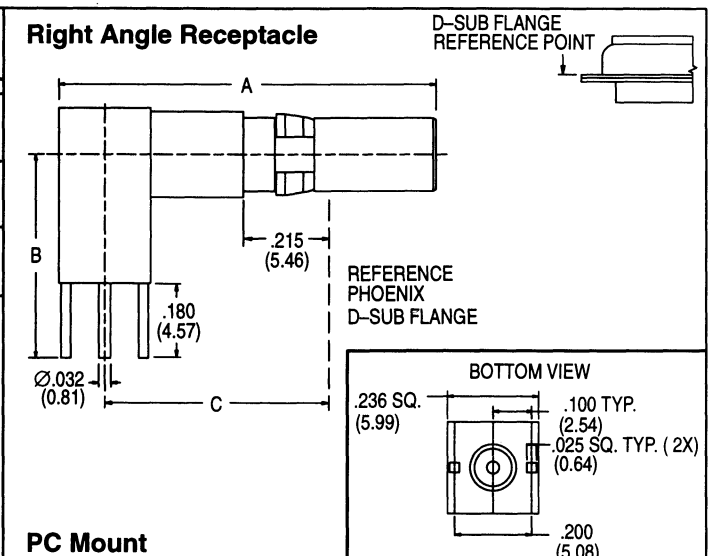
PKZ® 26 SERIES – SIZE 8 CONTACT PRINTED CIRCUIT MOUNT



Part Number	A	B REF.	C	Fits Shell
26-2450-63*	.96 (24.38)	.515 (13.08)	.570 (14.48)	D
26-2450-73*	.86 (21.84)	.400 (10.16)	.470 (11.94)	E,A,B,C
26-2450-83*	.76 (19.30)	.400 (10.16)	.370 (9.40)	E,A,B,C



Part Number	A	B REF.	C	Fits Shell
26-3450-63*	.96 (24.38)	.515 (13.08)	.570 (14.48)	D
26-3450-73*	.86 (21.84)	.400 (10.16)	.470 (11.94)	E,A,B,C
26-3450-83*	.76 (19.30)	.400 (10.16)	.370 (9.40)	E,A,B,C



*See Specification Page for finish and gasket information.

