

INTERFACE DESIGN STANDARD		 22 GREAT HILL ROAD, NAUGATUCK, CT. 06770 PHONE: (203) 729-9090 FAX: (203) 723-1794	REV	DESCRIPTION	DATE	APPR
IDS-40J			A	PER ECN 9132	11/07/07	JEM
PAGE 1 OF 2	DATE: 11/07/07		B	PER ECN 9746	01/19/09	JEM
DRAWN: ALS	APPROVED: HN					

DESCRIPTION: 40 SERIES, BNC, PER BS EN 122340 NON-MAGNETIC.

MECHANICAL

MATERIALS

BODIES, NUTS, FERRULE AND CAPS- NON-MAGNETIC BRASS.
 INSULATORS - TEFLON (PTFE) PER ASTM-D-1710.
 CONTACTS, FEMALE AND OUTER - BERYLLIUM COPPER PER ASTM-B-196.
 GASKETS - SILICONE RUBBER PER ZZ-R-765.

FINISHES (ADD LETTER "J" TO END OF PART NUMBER)

GOLD PER MIL-G-45204.
 COPPER PER MIL-C-14550.
 CONTACTS - .000030 MIN. GOLD OVER COPPER.
 BODIES: .000020 MIN. GOLD OVER COPPER.
 OTHER METAL PARTS:
 GOLD PLATED TO MEET THE ENVIRONMENTAL REQUIREMENTS.
 RESIDUAL MAGNETISM 20 GAMMA MAX.

MATING CHARACTERISTICS

CENTER CONTACT PIN AND SOCKET PER MIL-C-39012
 FORCE TO ENGAGE /DISENGAGE- LONGITUDINAL - 3 LBS. MAX.
 TORQUE- 2 IN.-LBS. MAX.
 COUPLING NUT RETENTION - 100 LBS. MIN.
 CONNECTOR DURABILITY: 500 CYCLES PER MIL-C-39012.
 CONFORMS TO BS EN 122340 STANDARDS.

ELECTRICALS

IMPEDANCE: 50 OHMS.
 FREQUENCY RANGE: DC TO 4 GHz.
 INSULATION RESISTANCE: 5000 MEGOHMS.
 DMV - 1500 VOLTS MIN. AT SEE LEVEL
 CONTACT RESISTANCE- CENTER CONTACT - 1.5 MILLOHMS
 OUTER CONTACT - 0.2 MILLOHMS
 VSWR - 1.30 MAX.
 R.F. LEAKAGE - 55 dB MIN. @ 2 to 3 GHz .
 INSERTION LOSS - 0.18 dB @ 3 GHz.

ENVIRONMENTAL

TEMPERATURE RATING: -65°C TO +165°C
 VIBRATION: MIL-STD-202, METHOD 204, TEST CONDITION B.
 SHOCK: MIL-STD-202, METHOD 213, TEST CONDITION B.
 THERMAL SHOCK: MIL-STD-202, METHOD 107, TEST CONDITION B @ 85°C.
 CORROSION: MIL-STD-202, METHOD 101, TEST CONDITION B.
 MOISTURE RESISTANCE: MIL-STD-202, METHOD 106,
 NO MEASUREMENT AT HIGH HUMIDITY.

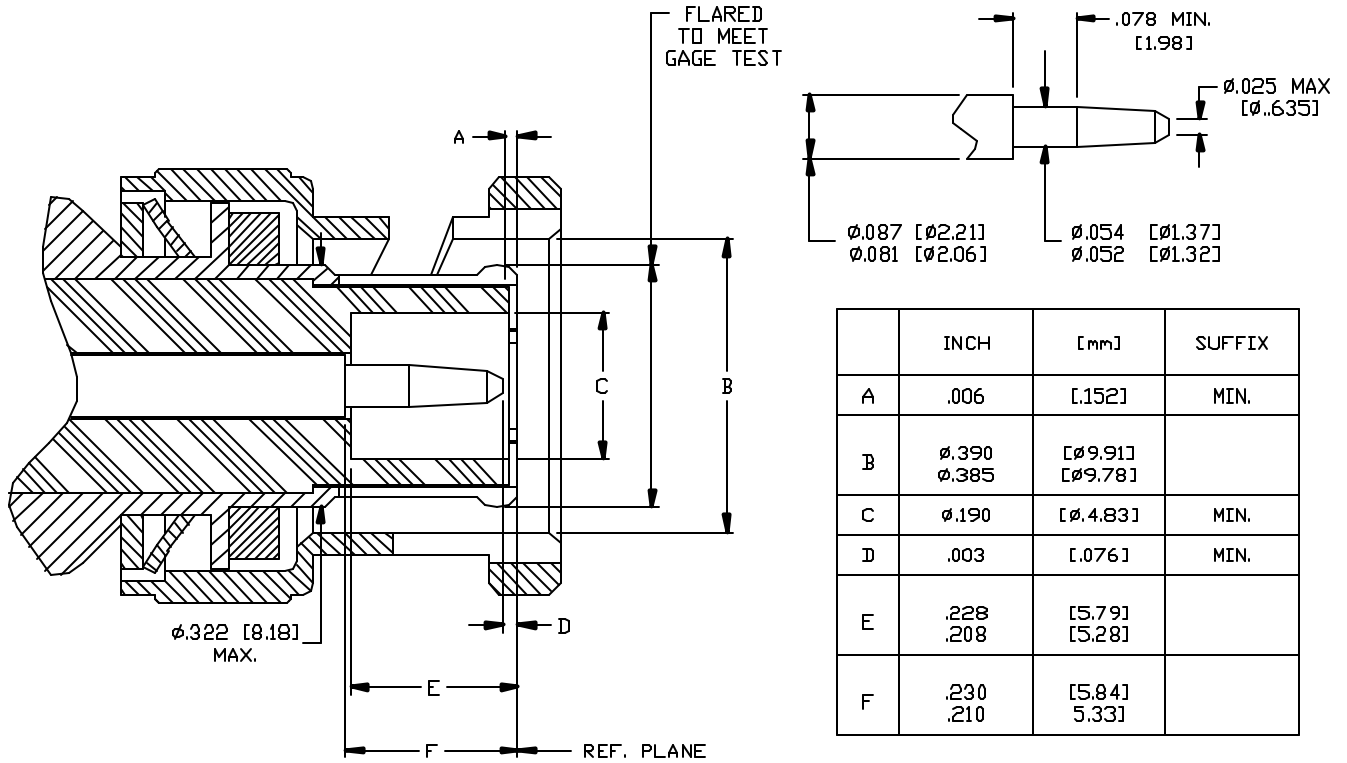
PALEO CONNECTOR

22 GREAT HILL ROAD, NAUGATUCK, CT. 06770
 PHONE: (203) 729-9090 FAX: (203) 723-1794

REV	DESCRIPTION	DATE	APPR
01	PRELIMINARY	11/2/07	HN
A	PER ECN 9132	11/07/07	JEM
B	PER ECN 9746	01/19/08	JEM

DESCRIPTION: 40 SERIES, BNC, PER BS EN 122340 NON-MAGNETIC.

DIMENSIONS ARE TO MIL-STD-348A.



DIMENSIONS ARE TO MIL-STD-348A.

	INCH	[mm]	SUFFIX
A	.208 .188	[5.28] [4.78]	
B	.206 .186	[5.23] [4.72]	
C	.436 .432	[11.07] [10.97]	
D	.006	[.152]	MAX.
E	ø.0321 ø.0319	[ø8.15] [ø8.10]	
F	ø.087 ø.081	[ø2.21] [ø2.06]	
G	ø.081 ø.075	[ø2.06] [ø1.91]	
H	.208 .204	[5.28] [5.18]	
I	ø.186	[ø4.72]	MAX.
J	ø.333 ø.327	[ø8.46] [ø8.31]	
K	ø.382 ø.378	[ø9.70] [ø9.60]	

