

COAX CONTACT SERIES

Size 8 Coax - 75 Ohm Contacts

PDM 16 Series (75 Ohm)

Specifications / Interface Drawings	125
Product Data	126-128

PDM ECOAX® 16S Series (75 Ohm, Stamped and Formed)

Specifications / Interface Drawings / Product Data	129
----------------------------------------------------------	-----

PDM 16 SERIES – 75 OHM

SPECIFICATIONS SUBJECT TO CHANGE WITHOUT NOTICE

MECHANICAL

MATERIALS

Plug Bodies: Brass per ASTM B 16.
 Receptacle Bodies: Beryllium Copper per ASTM B 196.
 Insulation: Teflon (PTFE) per ASTM D 1457.
 Contacts, Female: Beryllium Copper per ASTM B 196.
 Contacts, Male: Brass per ASTM B 16.
 Retaining Ring: Beryllium Copper per ASTM B 194.

PLATING

Gold per MIL-G-45204.
 Copper per MIL-C-14550.
 Nickel per QQ-N-290.

FINISH (Add letter to end of part number.)

BODIES AND CONTACTS*

"A": .000050 Min. Gold over Nickel.
 "B": .000030 Min. Gold over Nickel.
 "C": .000050 Min. Gold over Copper.
 "D": .000030 Min. Gold over Copper.
 **"F": .000010 Min. Gold over Nickel

MATING CHARACTERISTICS

Outer Bodies: 3 lbs. Max. Insertion.
 2 oz. Min. Withdrawal.
 Center Contacts: 16 oz. Max. Insertion.
 .5 oz. Min. Withdrawal.
 Housing Retention: 12 lbs. Min.

ELECTRICAL

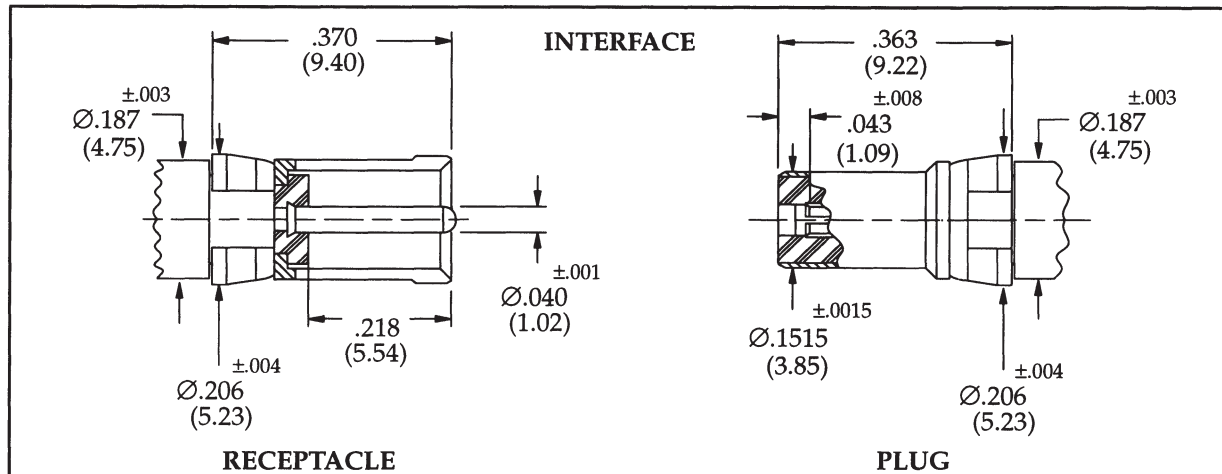
Frequency Range: DC To 2000 MHz.
 Frequency Range: DC To 1200 MHz For Double Crimp Version.
 Voltage Rating Straight: 1000 V RMS.
 Voltage Rating Angled: 800 V RMS.
 Current Rating: 3.5 Amps.

Contact Resistance: Center Contact 5 Milliohms.
 Contact Resistance: Outer Contact 3 Milliohms.
 Insertion Loss: .5 dB Max.
 Insulation Resistance: 3000 Megohms Min.
 DWV- See detailed chart located in Appendix A.

ENVIRONMENTAL

Operating Temperature Range: -67° F to +257° F.
 (-55° C to +125° C)
 Vibration: MIL-STD-1344, Method 2005, Test Condition 4.
 Shock: MIL-STD-1344, Method 2004, Test Condition E.

Salt Spray: MIL-STD-1344, Method 1001, Condition B.
 Durability: 500 Cycles.



* All other components plated to meet environmental requirements.
 ***F Plating may not meet all aspects of Environmental Specifications.



PDM 16 SERIES SOLDER

Part Number	A MAX.	B REF.	C DIA.	Cable
16-0020-0670*	.739 (18.77)	.929 (23.60)	.067 (1.70)	RG179

Straight Plug

Solder

Part Number	A MAX.	B REF.	C DIA.	Cable
16-1020-0670*	.739 (18.77)	.929 (23.60)	.067 (1.70)	RG179

Straight Receptacle

Solder

Part Number	A MAX.	B REF.	C DIA.	D REF.	Cable
16-0520-0670*	.530 (13.46)	.734 (18.64)	.067 (1.70)	.492 (12.50)	RG179

Right Angle Plug

Solder

Part Number	A MAX.	B REF.	C DIA.	D REF.	Cable
16-1520-0670*	.530 (13.46)	.734 (18.64)	.067 (1.70)	.492 (12.50)	RG179

Right Angle Receptacle

Solder

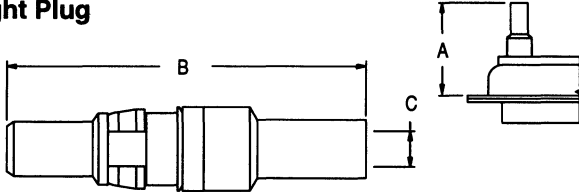
*See Specification Page for finish suffix.



PDM 16 SERIES CRIMP

Part Number	A MAX.	B REF.	C DIA.	Cable
16-0080-0670*	.739 (18.77)	.929 (23.60)	.067 (1.70)	RG179

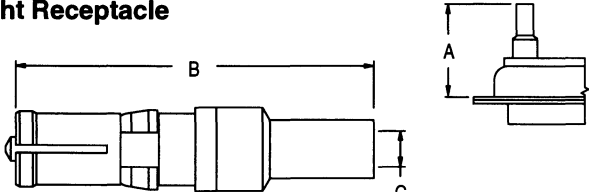
Straight Plug



Crimp Consult Factory For Tooling Information.

Part Number	A MAX.	B REF.	C DIA.	Cable
16-1080-0670*	.739 (18.77)	.929 (23.60)	.067 (1.70)	RG179

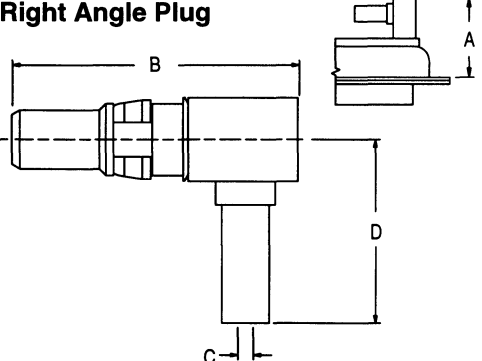
Straight Receptacle



Crimp Consult Factory For Tooling Information.

Part Number	A MAX.	B REF.	C REF.	D DIA.	Cable
16-0580-0670*	.530 (13.46)	.734 (18.64)	.067 (1.70)	.492 (12.50)	RG179

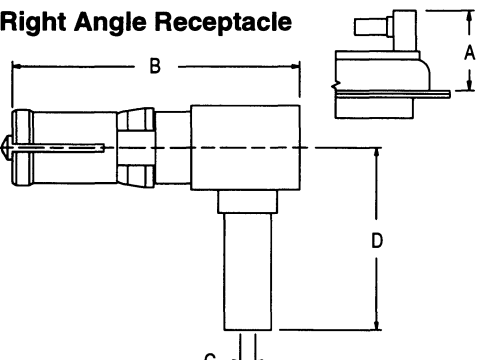
Right Angle Plug



Crimp Consult Factory For Tooling Information.

Part Number	A MAX.	B REF.	C REF.	D DIA.	Cable
16-1580-0670*	.530 (13.46)	.734 (18.64)	.067 (1.70)	.492 (12.50)	RG179

Right Angle Receptacle



Crimp Consult Factory For Tooling Information.

*See Specification Page for finish suffix.



PDM 16 SERIES DOUBLE CRIMP

Phoenix double crimp, size 8 contacts are offered in standard, 50 and 75 ohm versions, as solderless, cost effective alternatives for high volume manufacturing needs. The double crimp contact design consists of a one piece body, a separate snap fit, center contact and an outer ferrule. Both center contact and outer ferrule can be terminated with a high speed crimping operation or conventional hand-held tool. Phoenix double crimp contacts are intermateable to "industry standard" equivalent, D-subminiature coaxial contact varieties.

Part Number	Cable	A MAX.	
16-0090-0675*	RG179	.739 (18.77)	Straight Plug
			Double Crimp
Part Number	Cable	A MAX.	
16-1090-0673*	RG179	.739 (18.77)	Straight Receptacle
			Double Crimp

*See Specification Page for finish suffix.



ECOAX[®] 16S SERIES STAMPED AND FORMED CONTACTS

Manufactured Under U.S. Patent
Numbers: 5,055,068 and 5,060,373

SPECIFICATIONS SUBJECT TO CHANGE WITHOUT NOTICE

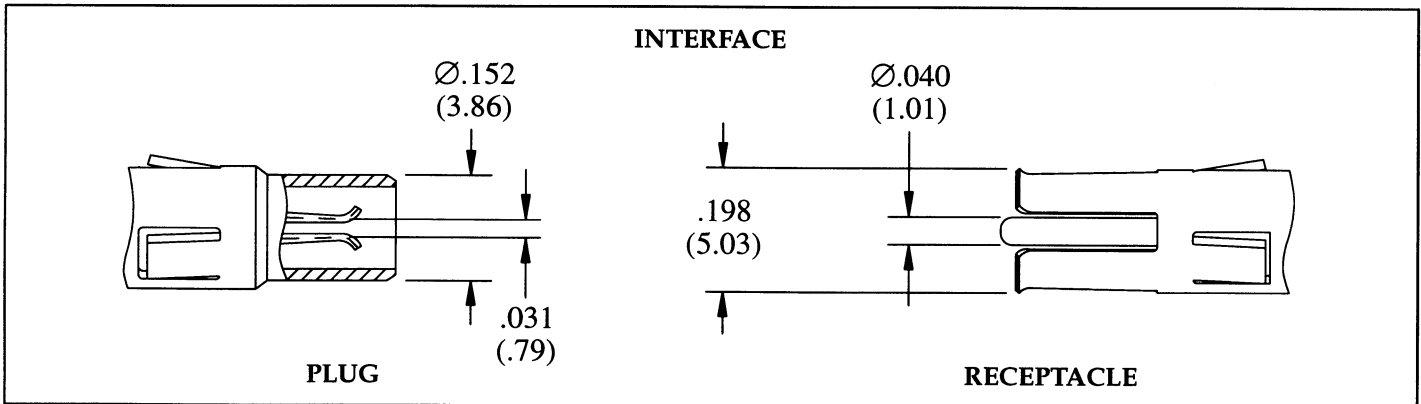
ELECTRICAL SPECIFICATIONS

Coaxial Cable used for Specification M17/113-RG316 Revision F.
Frequency Range: DC to 2 GHz.
VSWR (Mated Pair): 1.25 : 1 Max.
Insertion Loss: 0.1 dB Max.
RF Leakage: 30 dB Min.
Impedance (Nominal): 75 Ohms.

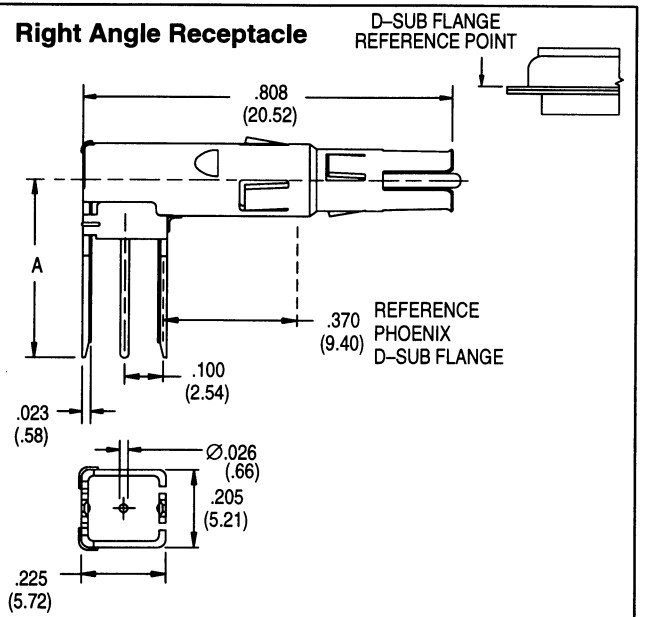
Operating Voltage: 900 V RMS.
DWV (5 mA Max. Leakage Current): 2000 V RMS.
Contact Resistance (1A Current):
Outer Conductor: 5 Milliohms Max.
Center Contact: 5 Milliohms Max.
Insulation Resistance (500 VDC): 5 Gigaohms Min.

FINISH

"B" - .000030 Min. Gold over Nickel.



Part Number	Style	A	Fits Shell
16S-3450-03	Right Angle Receptacle	.400 (10.16)	E,A,B,C
16S-2450-01	Right Angle Plug	.350 (8.89)	E,A,B,C
16S-1450-01	Straight Receptacle	N/A	E,A,B,C,D



THE PHOENIX COMPANY
of CHICAGO, INC.

Dimensions are subject to change without notice.

PALCO CONNECTOR

A subsidiary of The Phoenix Company

555 Pond Drive ■ Wood Dale, IL 60191-1192 ■ Toll Free (800)323-9562