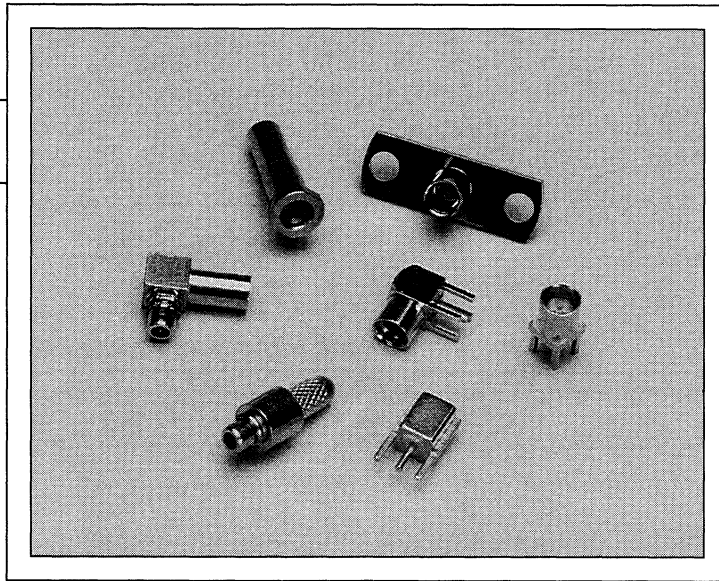


Microminiature Connectors



Where smaller size, lighter weight and space savings are critical to design, the PMMX connector series offers a size reduction of approximately 45% over the SMB subminiature series. Operating to 6 GHz, the PMMX offers a snap-on mating and a unique body design. Constructed of brass for durability and ruggedness, the PMMX is an impedance controlled 50 Ohm connector. The PMMX is available in straight and right angle configurations to accommodate flexible, conformable and semi-rigid cable groups, as well as surface mount and printed circuit versions.

PMMX Microminiature Connectors

PMMX 33 Series	180
Specifications / Interface Drawings	181
Product Data	182-184
Surface Mount Data	185
Mating Height Dimensions	186
Application Information / Mounting Hole Dimensions	187

PMMX 33 SERIES

SPECIFICATIONS SUBJECT TO CHANGE WITHOUT NOTICE

MECHANICAL

U.S. PATENT NO. 5,938,465

MATERIALS

Bodies and Male Contacts: Brass per ASTM B 16.
Ferrules and Caps: Brass per ASTM B 16.
Insulation: Teflon (PTFE) per ASTM D 1457.
Female Contacts and Springs: Beryllium Copper per ASTM B 196.

PLATING

Gold per MIL-G-45204.
Copper per MIL-C-14550.
Nickel per QQ-N-290.

FINISH

BODIES AND CONTACTS*

"A": .000050 Min. Gold over Nickel.

MATING CHARACTERISTICS

Engagement: 3.4 lbs. Max.
Disengagement: 1.3 - 3.4 lbs.
Durability: 500 Cycles.

ELECTRICAL

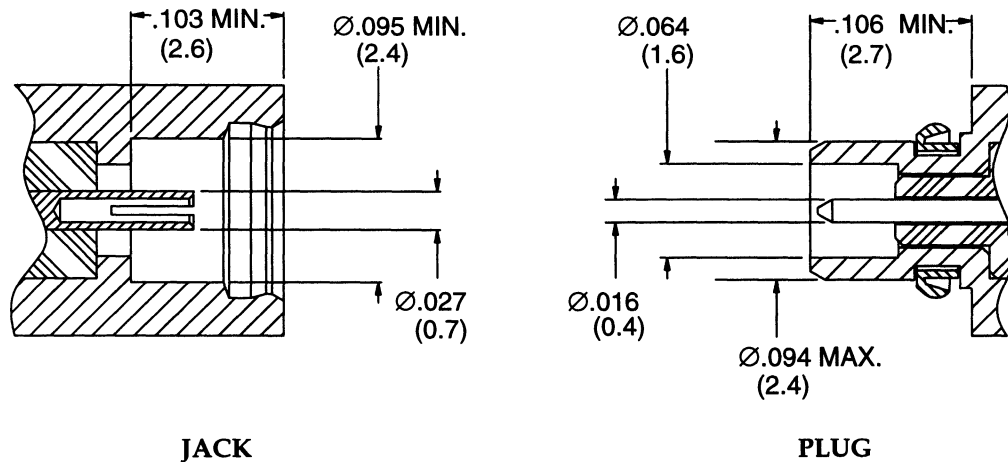
Impedance: 50 Ohms.
Frequency Range: 0-6 GHz.
Voltage Rating: 170 V RMS.
Insulation Resistance: 5,000 Megohms Min.
Temperature Rating: -85° F to +257° F (-65° C to +125° C).

DWV: 500 V RMS.
Contact Resistance: Center Contact - 5.0 Milliohms.
Outer Contact - 3.0 Milliohms.
VSWR: 1.20 Typ. for Straight Connectors.
1.30 Typ. for Right Angle Connectors.
RF Leakage: 55dB Min. at 1 GHz.
Insertion Loss: 0.2 dB Max./1 GHz.

ENVIRONMENTAL

Vibration, High Frequency: MIL-STD-202, Method 204, Condition B.
Shock: MIL-STD-202, Method 213, Condition A.
Thermal Shock: MIL-STD-202, Method 107, Test Condition B at +185° F (+85° C).
Corrosion: MIL-STD-202, Method 101, Test Condition B.

INTERFACE



* All other components plated to meet environmental requirements.



THE PHOENIX COMPANY
of CHICAGO, INC.


Dimensions are subject to change without notice.

PALCO CONNECTOR

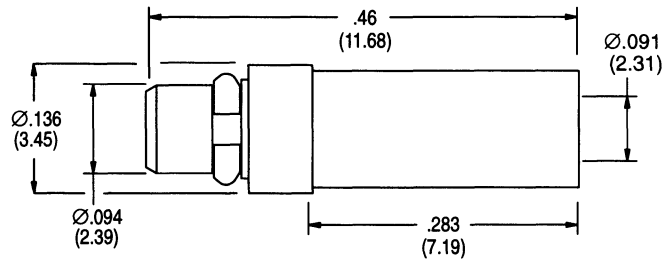
A subsidiary of The Phoenix Company

555 Pond Drive • Wood Dale, IL 60191-1192 • Toll Free (800)323-9562


PMMX 33 SERIES SOLDER, TURRET

Part Number	Cable
33-0200-0860*	RG405-M17/133 (.086 S.R.)
 ACTUAL SIZE *See Specification Page for finish suffix.	

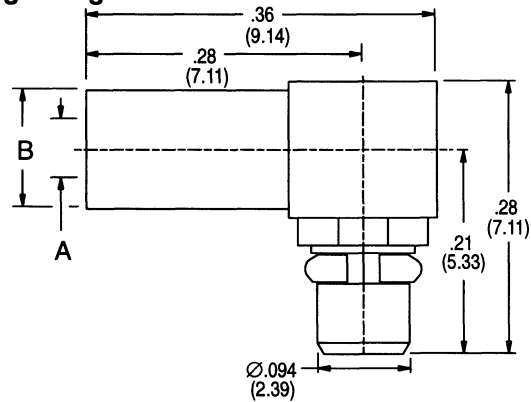
Straight Plug



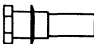
Solder

Part Number	Cable	A	B
33-2200-0470*	M17/151 (.047 S.R.)	Ø.051 (1.30)	Ø.085 (2.16)
33-2200-0860*	RG405-M17/133 (.086 S.R.)	Ø.091 (2.31)	Ø.120 (3.05)
 ACTUAL SIZE *See Specification Page for finish suffix.			

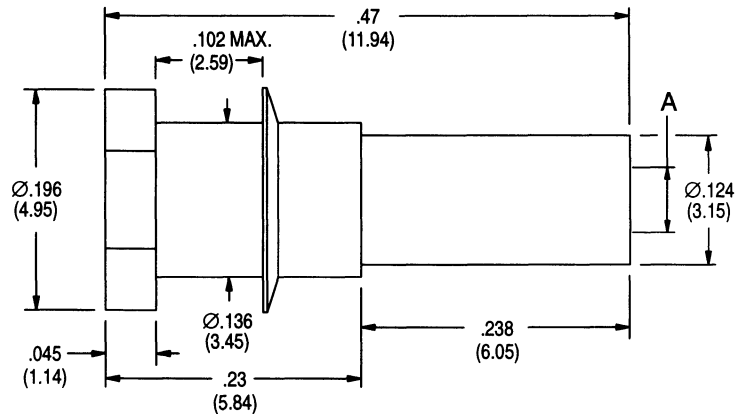
Right Angle Plug




Solder

Part Number	Cable	Center Contact	A
33-1208-0860*	RG405-M17/133 (.086 S.R.)	Solder	Ø.091 (2.31)
33-1808-0400*	RG178,196,404	Crimp	Ø.040 (1.02)
 ACTUAL SIZE *See Specification Page for finish suffix.			

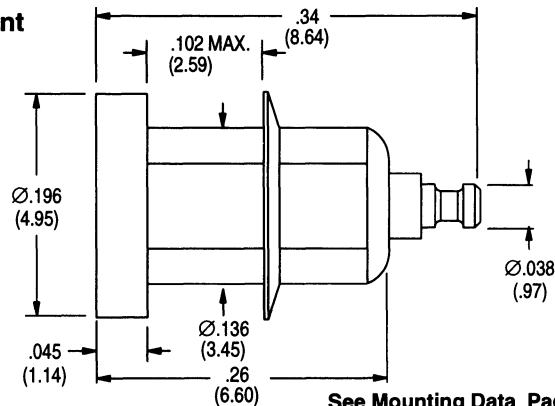
Straight Jack, Bulkhead Mount



See Mounting Data Page, Fig. 6

Part Number	
33-1508-00*	
 ACTUAL SIZE *See Specification Page for finish suffix.	

Bulk Head Mount Receptacle



Turret Terminal

See Mounting Data Page, Fig. 6



PMMX 33 SERIES CRIMP\CRIMP, CRIMP

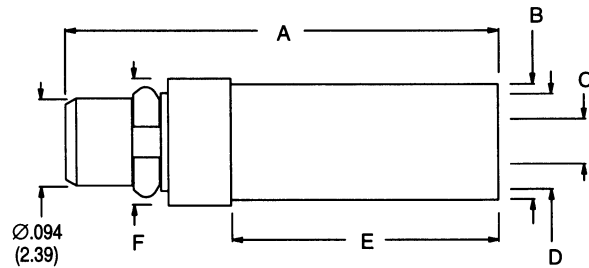
Part Number	A	B DIA.	C DIA.	D DIA.	E	F DIA.	Cable
33-0900-0400*	.46 (11.68)	.124 (3.15)	.040 (1.02)	.092 (2.34)	.280 (7.11)	.137 (3.48)	RG178,196,404
33-0900-0670*	.51 (12.95)	.152 (3.58)	.128 (3.25)	.067 (1.70)	.250 (6.35)	.170 (4.32)	RG316,188,174
33-0900-2670*	.51 (12.95)	.179 (4.55)	.142 (3.61)	.067 (1.70)	.250 (6.35)	.170 (4.32)	RG316 D.S. (M17/152)

Straight Plug



ACTUAL SIZE

*See Specification Page for finish suffix.



Crimp\Crimp

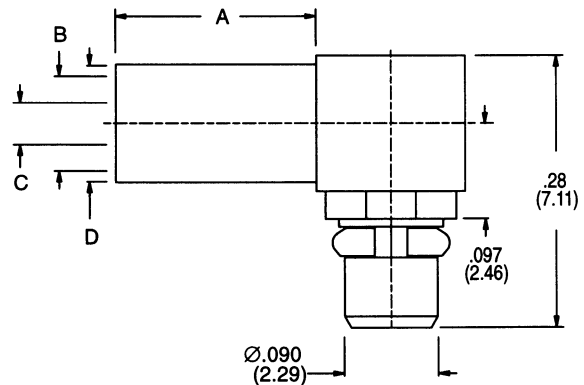
Part Number	A	B DIA.	C DIA.	D DIA.	Cable
33-2800-0400*	.200 (5.08)	.124 (3.15)	.040 (1.02)	.120 (3.04)	RG178,196,404
33-2800-0670*	.250 (6.35)	.152 (3.58)	.128 (3.25)	.152 (3.58)	RG316,188,174
33-2800-2670*	.250 (6.35)	.179 (4.55)	.142 (3.61)	.179 (4.55)	RG316 D.S. (M17/152)

Right Angle Plug



ACTUAL SIZE

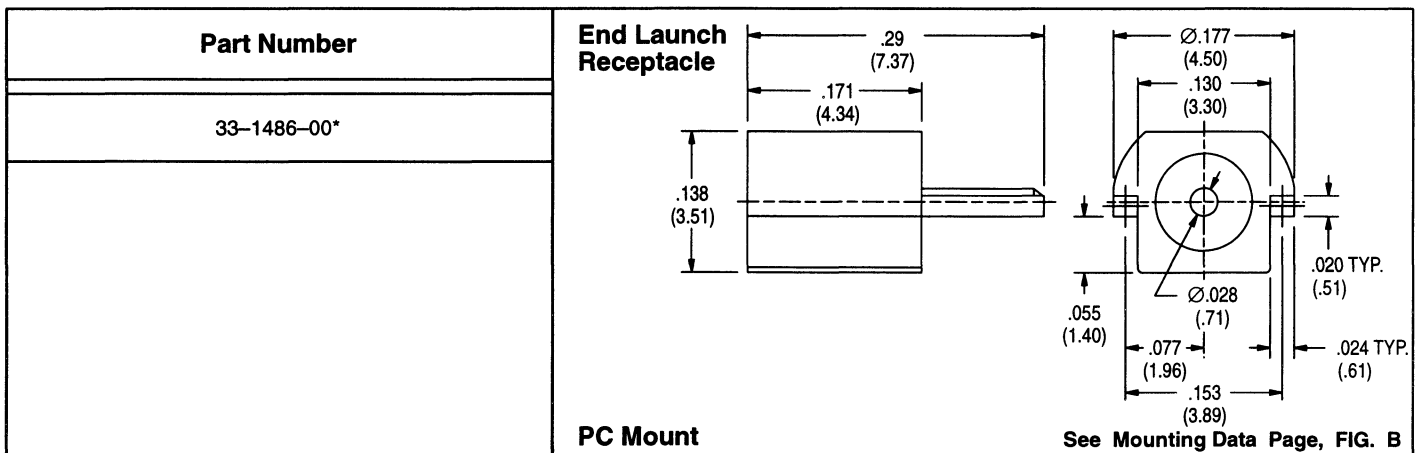
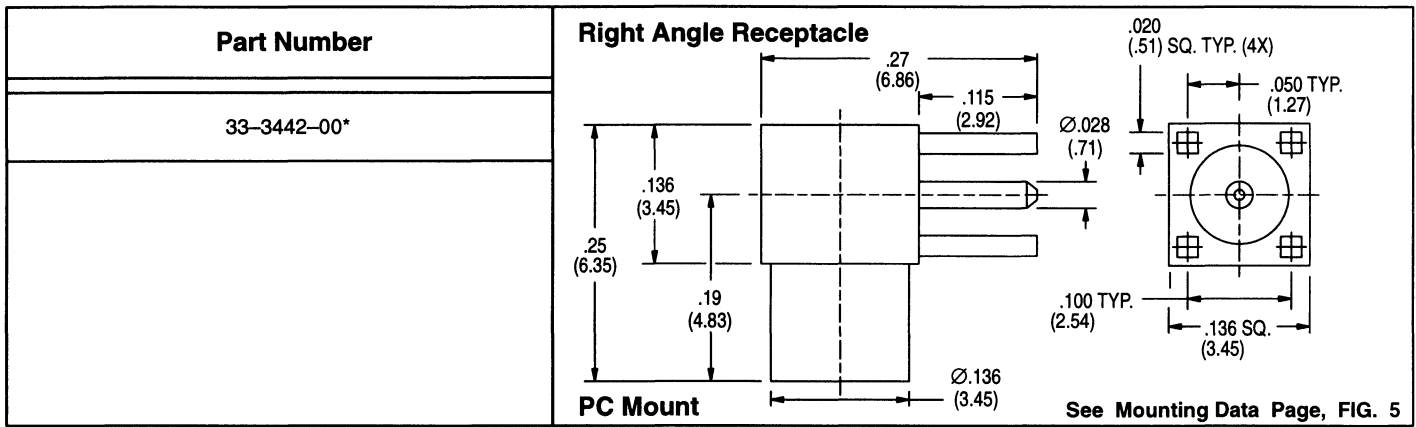
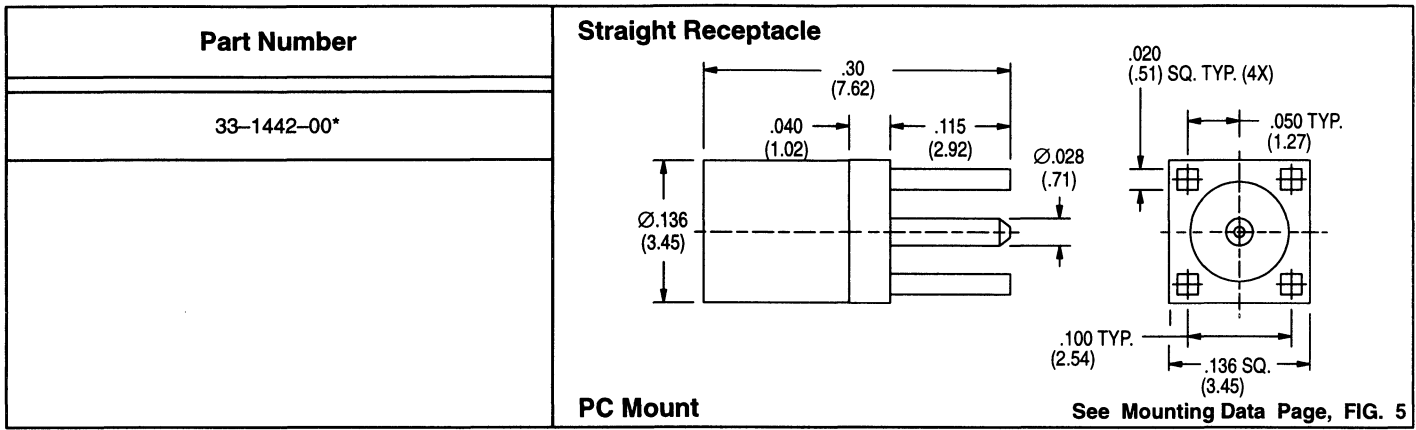
*See Specification Page for finish suffix.



Crimp



PMMX 33 SERIES PRINTED CIRCUIT MOUNT



*See Specification Page for finish suffix.



THE PHOENIX COMPANY
of CHICAGO, INC.

Dimensions are subject to change without notice.

PALCO CONNECTOR

A subsidiary of The Phoenix Company

555 Pond Drive • Wood Dale, IL 60191-1192 • Toll Free (800)323-9562

PMMX 33 SERIES SURFACE MOUNT

Part Number	Straight Receptacle
33-1449-01*	
Consult Factory About Tape and Reel Packaging	

Surface Mount
No Mounting Data Available

Part Number	Right Angle Receptacle
33-3449-01*	
Consult Factory About Tape and Reel Packaging	

Surface Mount
No Mounting Data Available

INTERFACE

SIDE

BACK

**END LAUNCH,
SURFACE MOUNT PMMX**

PART NUMBER TO BE DETERMINED

BOTTOM

*See Specification Page for finish suffix.



THE PHOENIX COMPANY
of CHICAGO, INC.

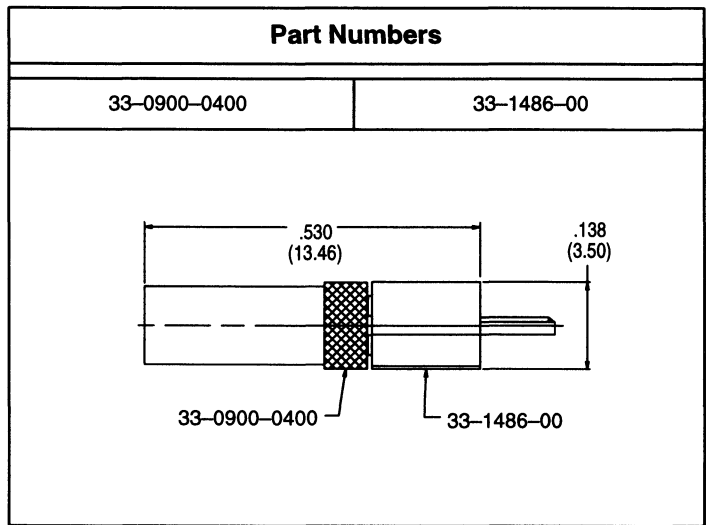
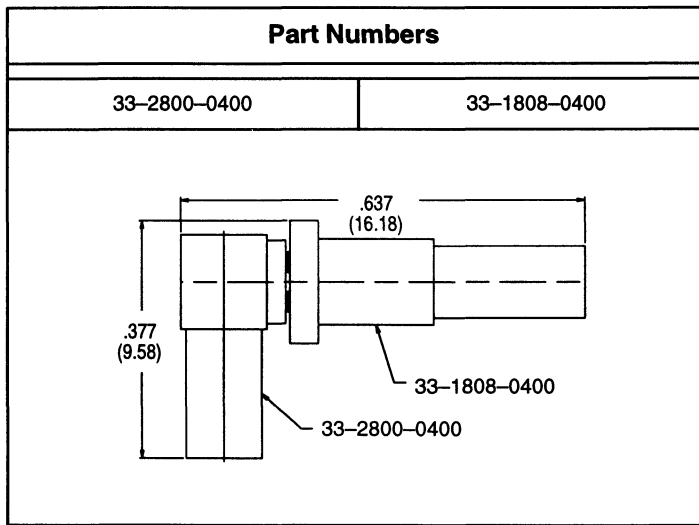
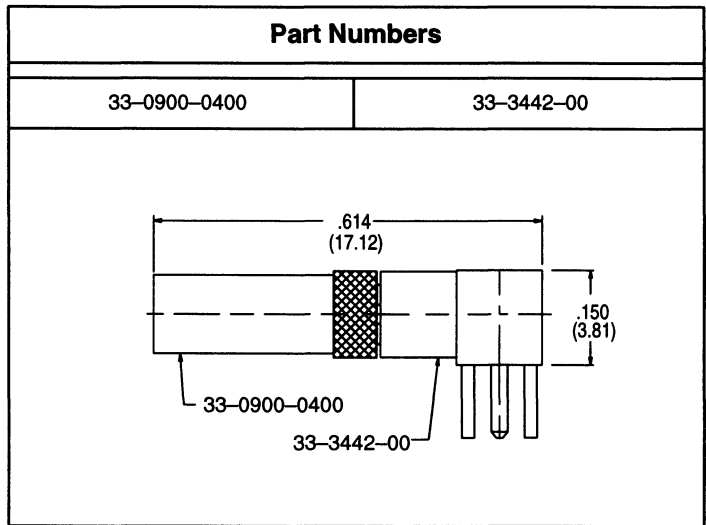
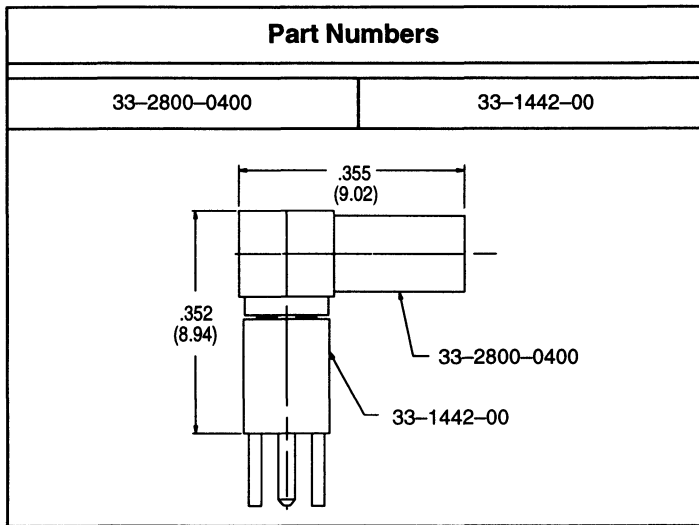
Dimensions are subject to change without notice.

PALCO CONNECTOR

A subsidiary of The Phoenix Company

555 Pond Drive ■ Wood Dale, IL 60191-1192 ■ Toll Free (800)323-9562

PMMX 33 SERIES MATING HEIGHT DIMENSIONS



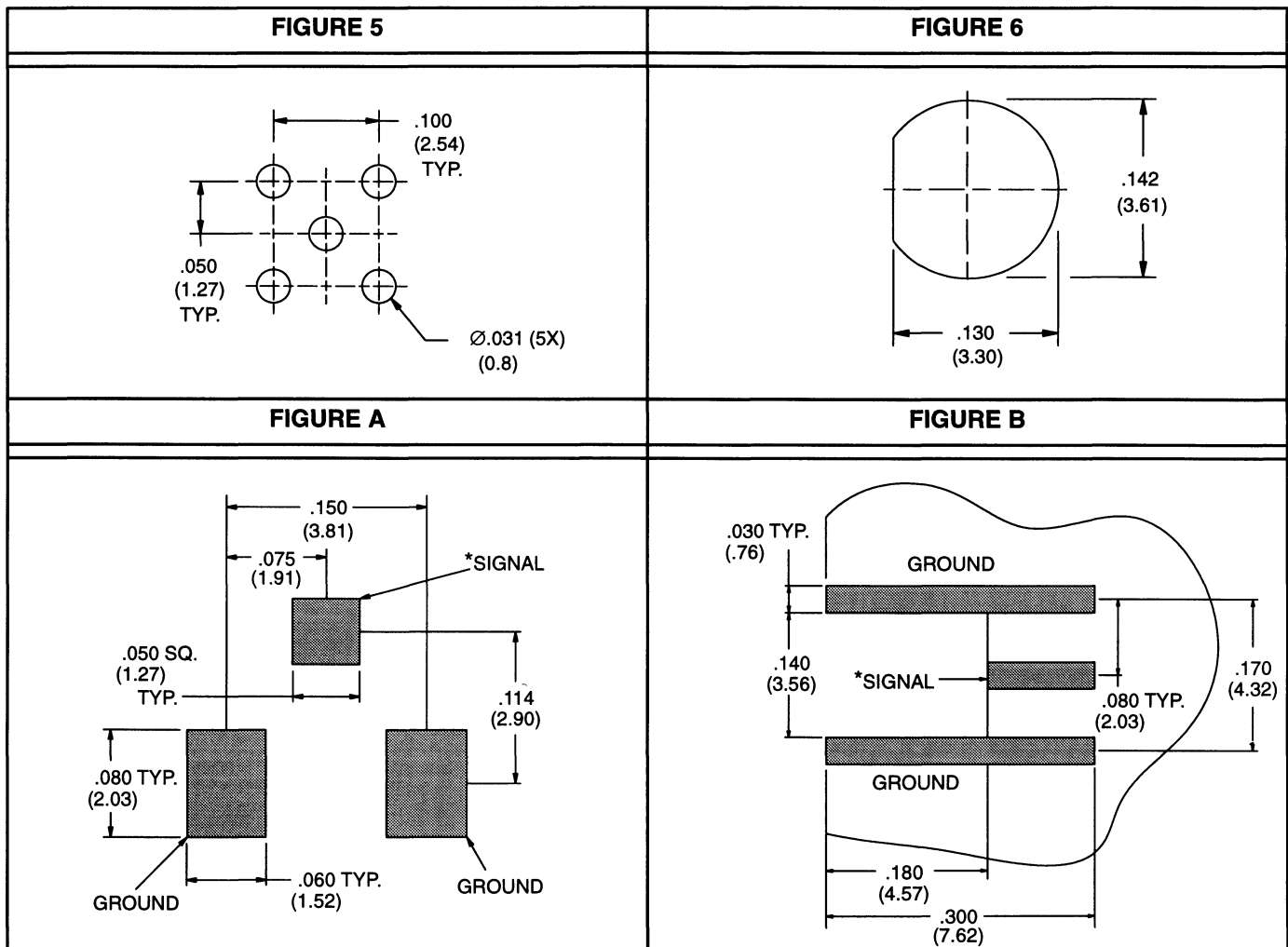
APPLICATION INFORMATION

CRIMP TOOLING

PART NUMBER	BRAID CRIMP	CONTACT CRIMP
33-0900-0400	Hex Die .128 (Per M22520/5-03).	Hex Die .030 Y460S
33-0900-0670	Hex Die .128 (Per M22520/5-03).	Hex Die .030 Y460S
33-0900-2670	Hex Die .151 (Per M22520/5-37).	Hex Die .030 Y460S
33-1808-0400	Hex Die .105 (Per M22520/5-03).	Hex Die .030 Y460S
33-2800-0400	Hex Die .105 (Per M22520/5-03).	
33-2800-0670	Hex Die .128 (Per M22520/5-03).	
33-2800-2670	Hex Die .151 (Per M22520/5-37).	

NOTE: All contacts have optional solder hole.

MOUNTING HOLE DIMENSIONS



***NOTE:** We recommend that the final size and shape of the signal trace be optimized to compensate for differences in board material and thickness. All traces should be 1 oz. for maximum adhesion.

